

# ProFeeder Flex

Flexible and Maneuverable



**EasyRobotics**<sup>®</sup>  
- we move your parts

# ProFeeder Flex

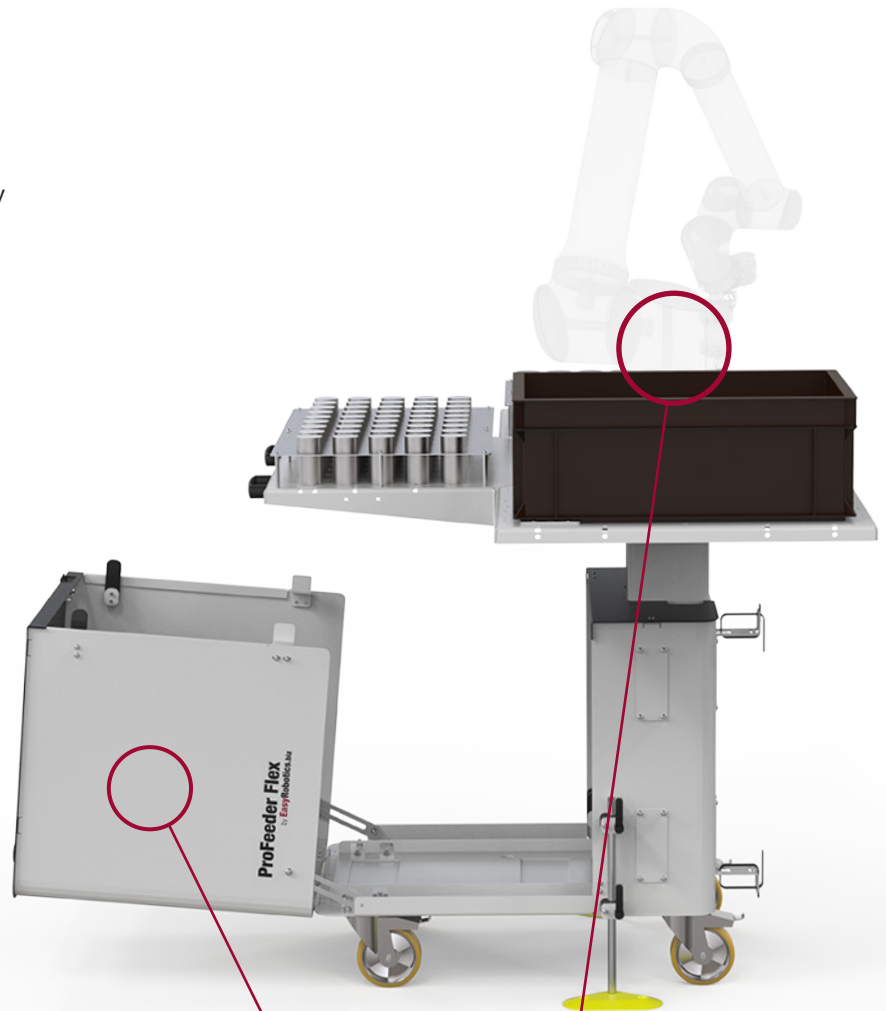
For easy and flexible maneuvering around the production line.

The ProFeeder Flex is a part of the ProFeeder family, and it comes with Heavy Duty wheels and integrated legs.

The ProFeeder Flex comes in three models:

- FlexBase without tables
- FlexOne with one table
- FlexThree with three tables

Pedestal is placed centrally with built-in cable guide, flexible mounting for the teach pendant and free compartment for the controller.



## Industries suitable for

### ProFeeder Flex:

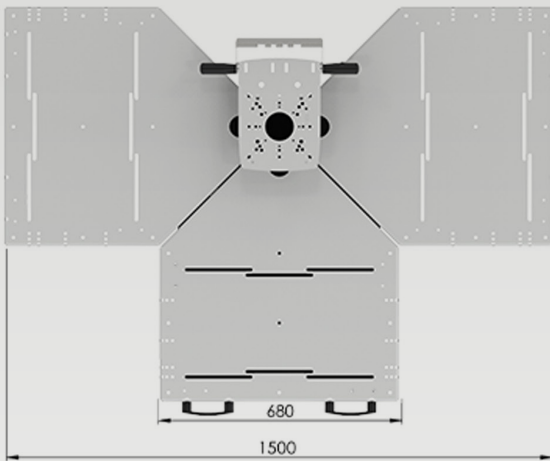
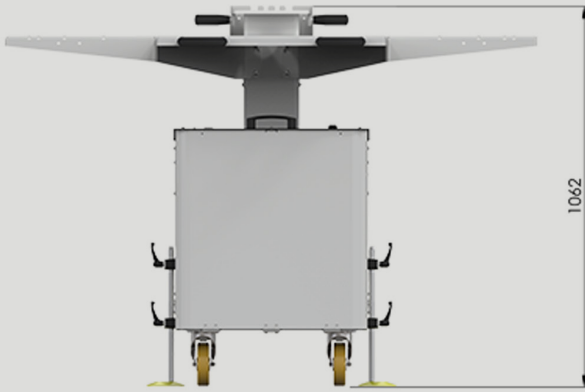
- Machine - Tending
- Cutting
- Finishing and Polishing
- Deburring
- Grinding
- Welding
- Electronics Industry
- Plastics Industry
- Pharmaceutical Industry
- Food Industry

### Compatible and adoptive

- ProFeeder Flex is made to fixture any collaborative robot brand, such as: Doosan, Kassow, Hanwha, UR, Fanuc, Techman.

### Controller compartment

- ProFeeder Flex is designed to ease the access to controller compartment, that is used to protect the robot-arm controller from external influences.



### Product order overview

<b>PFF1002</b>	ProFeeder FlexBase	Weight 110 Kg dimension L1000*W680*H1052mm. Incl. dock
<b>PFF1002-1</b>	ProFeeder FlexOne	Weight 134 Kg dimension L1000*W680*H1052mm. Incl. dock, with One table/tray (60 kg pr tray)
<b>PFF1002-3</b>	ProFeeder FlexThree	Weight 168 Kg dimension L1096*W1522*H1062mm. Incl. dock, with Three tables/trays (60 kg pr tray)

Danish manufacturer and supplier of robotic cells for all types of automation.

**EasyRobotics®**  
- we move your parts

EasyRobotics ApS  
Mommarmvej 5  
DK-6400 Sønderborg  
Phone: +45 31 25 06 02  
info@easyrobotics.dk  
[www.easyrobotics.biz](http://www.easyrobotics.biz)

